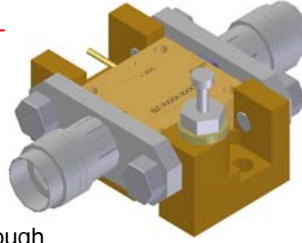


### Features

- **Power Out 1 dB comp. 27dBm**
- Unconditionally Stable at all temperatures
- Internally Regulated DC Voltage
- 50 Ohm Matched Input/Output
- Field Replaceable SMA connectors
- Excellent Group Delay and Phase Linearity
- 0.009 inches diameter RF In/Out feed through
- 3 Year Warranty

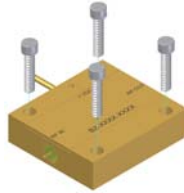


### Specifications (23 °C)

Parameter	Min	Typ	Max	
Frequency Range	2.0		8	GHz
Noise Figure *			3.0	dB
Gain	28			dB
Gain Flatness			±1.0	dB
P1dB Output Power	27			dBm
Input VSWR	-		2.0:1	
Output VSWR	-		2.0:1	
Operating Temperature	-55	-	+85	°C
Voltage	+14.5		+15.5	V
Current		550		mA

### Options

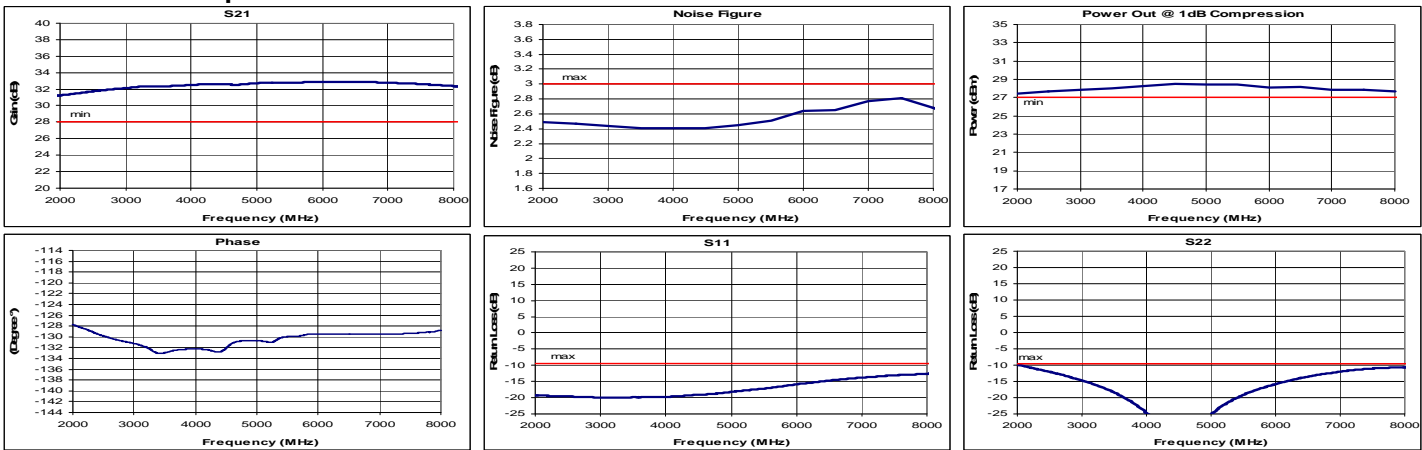
- **Optimized Performance over Selected Bandwidth**
- Internally DC Block Input (Output DC Block Standard)
- Hermetically Sealed Package
- Gain and Phase matching
- Extended bandwidth to 100MHz.
- Internal D.C. Voltage regulation



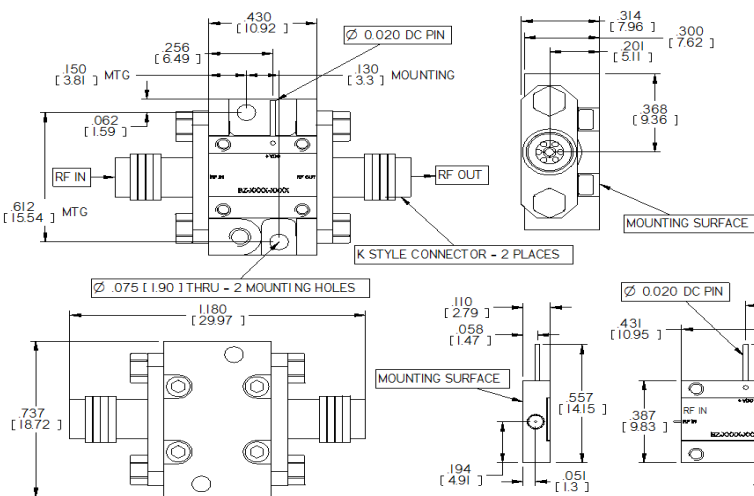
\*IMP: UNIT REQUIRES HEAT SINK.

\*\*Input +15Volts with Internal D.C. Voltage Regulation available.

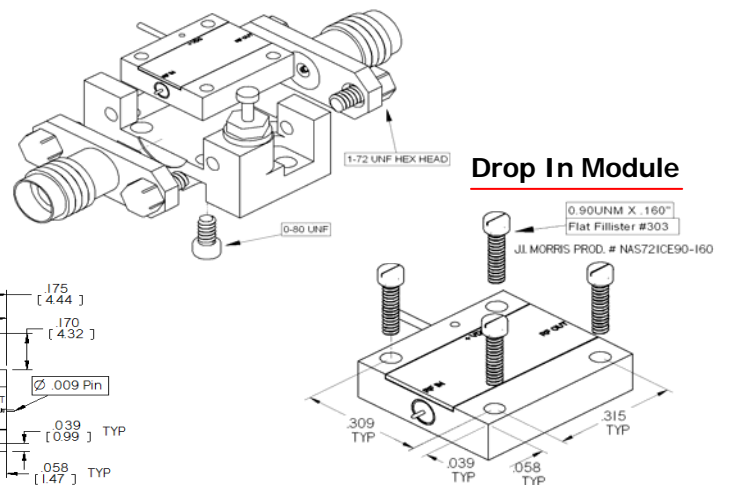
### Performance Graphs



### Outline Drawing



### Mounting Drawing



00194