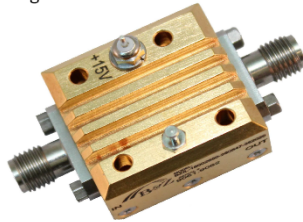


Features

- **Noise Figure ≤ 9.0 dB**
- Unconditionally Stable at all temperatures
- Internally Regulated DC Voltage
- 50 Ohm Matched Input/Output
- Field Replaceable 1.85mm V connectors
- Excellent Group Delay and Phase Linearity
- 0.009 inches diameter RF In/Out feed through
- Operating Temp. -55 C to +85 C
- 3 Year Warranty

Options

- **Optimized Performance over Selected Bandwidth**
- Internally DC Block Input (Output DC Block Standard)
- Hermetically Sealed Package
- Improved Gain Flatness
- Improved IN and OUT VSWR
- Gain and Phase matching
- Lower Noise Figure

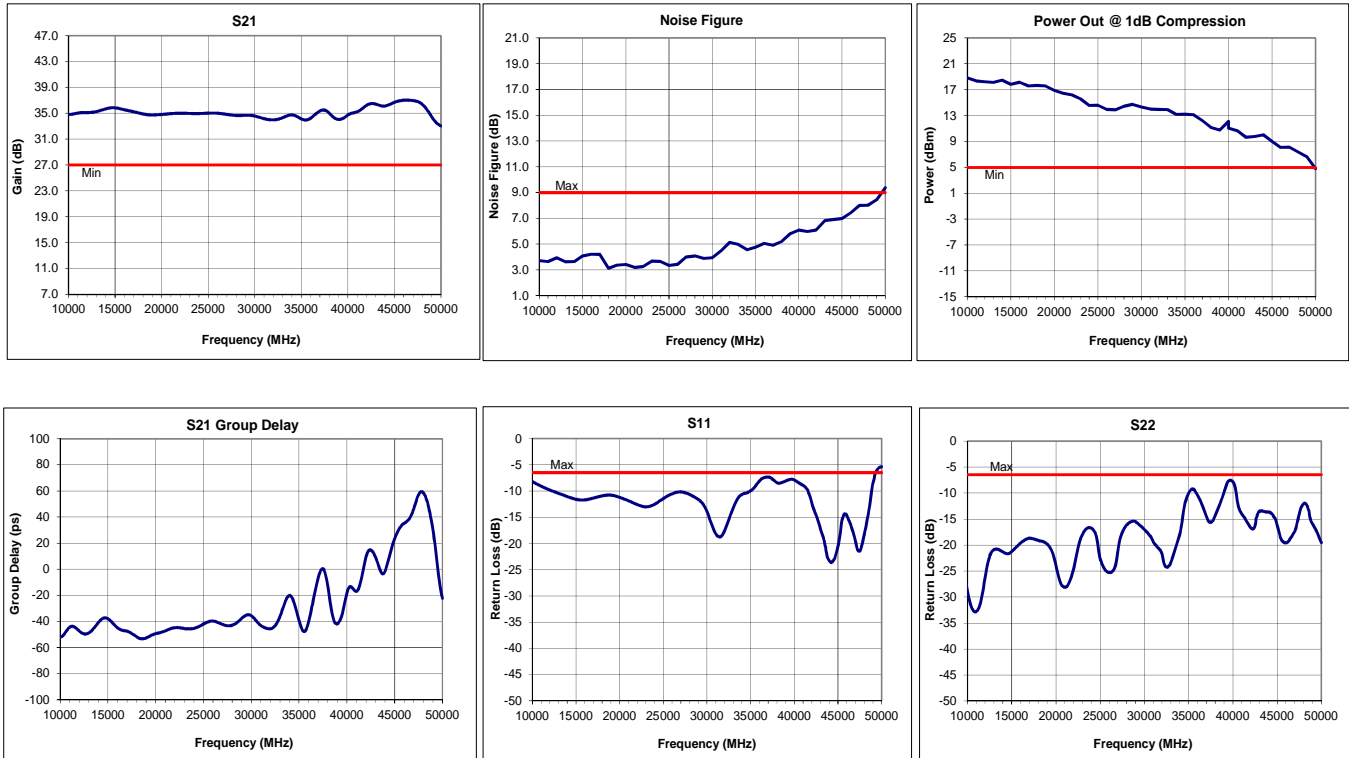


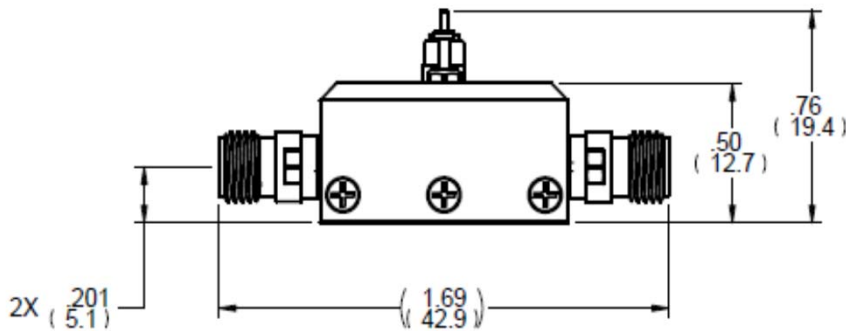
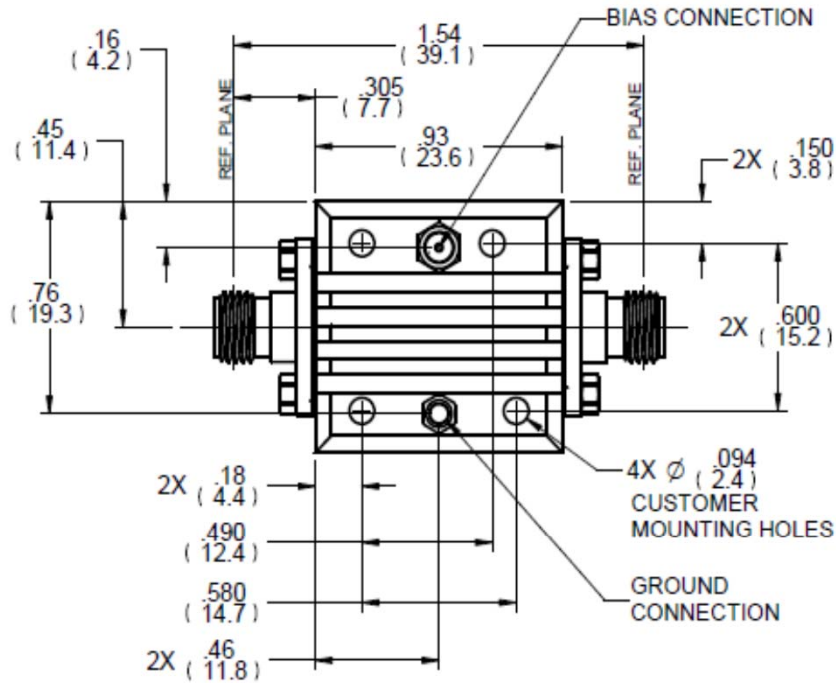
Specifications (23 °C)

Parameter	Min	Typ	Max	Units
Frequency Range	10	-	50	GHz
Noise Figure*	-	-	9.0	dB
Gain	27	34	-	dB
Gain Flatness (+/-)	-	± 3.5	± 4.0	dB
P1 Output Power	+5	-	-	dBm
Input VSWR	-	-	2.8:1	
Output VSWR	-	-	2.8:1	
Operating Temperature	-55	-	+85	°C
Non-Operating Temp Range	-65	-	+125	°C
RF Input Power (no-damage)	-	-	+13	dBm
Humidity (non-condensing)	-	-	95	%
Voltage	+12	+12	+15	VDC
Current	-	465		mA
Input Impedance	50			Ohms
RF Connector	1.85mm V - Female			
Dimensions	42.9 x 22.8 x 19.4			mm

* Noise Source used for measurement from 10GHz to 50 GHz is HP346C-K01 .
NF Uncertainty (approx. 0.3 dB). 0.2 dB due to ENR of HP 346C-K01, and 0.1 dB due to the gain modulation of the unit caused by the HP 346C-K01 source impedance change in the ON and OFF state.

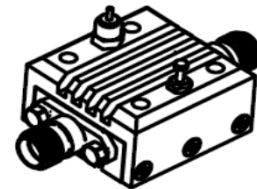
Typical Data

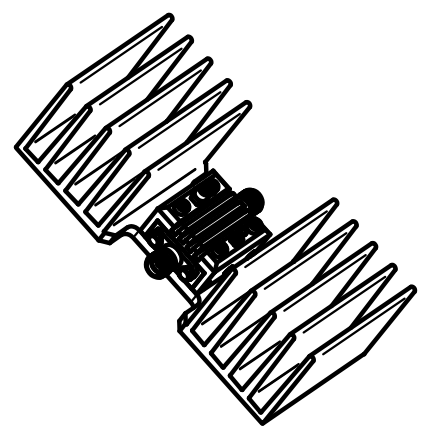
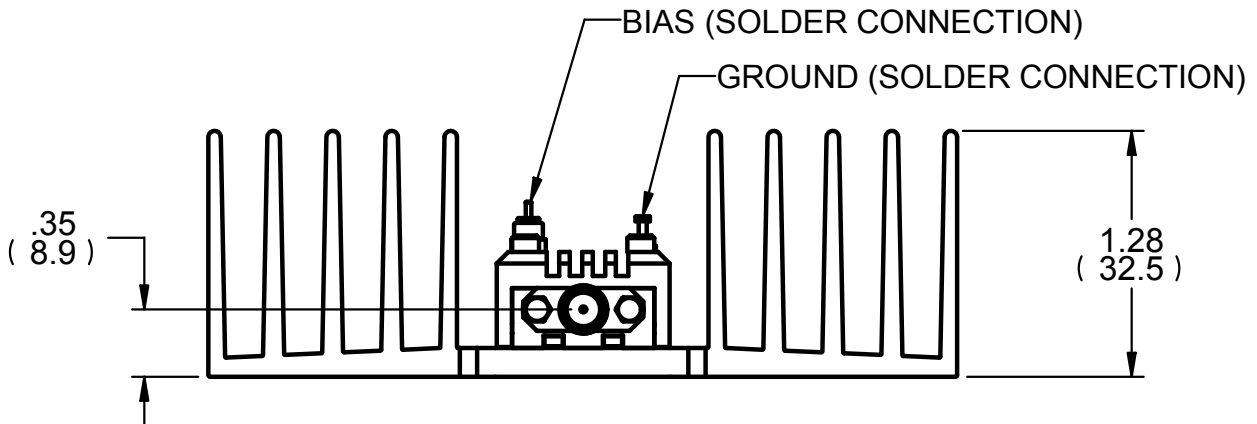
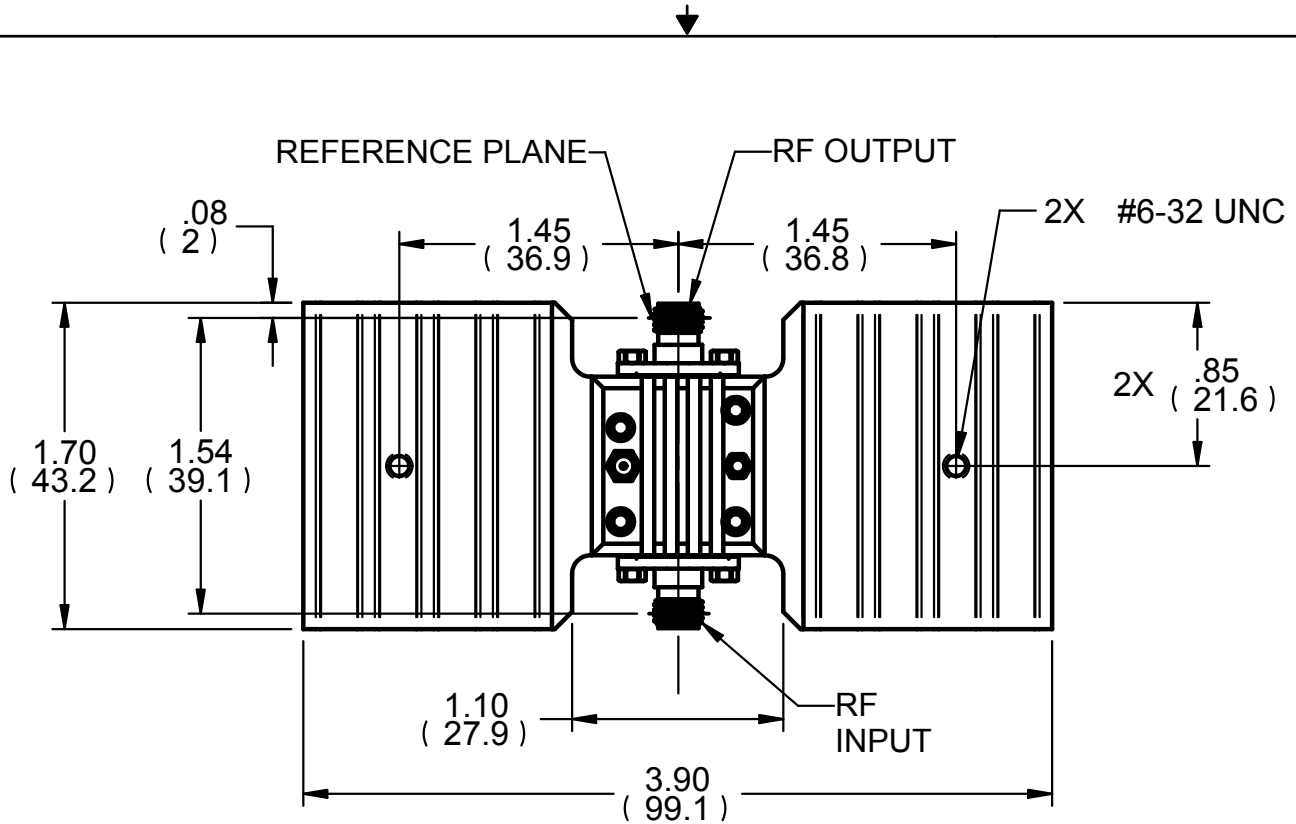




NOTES:

1. DUAL DIMENSIONS, MILLIMETERS IN PARENTHESIS
2. RECOMMENDED MOUNTING HARDWARE
#1-72 SOCKET HEAD CAP SCREW
M2 SOCKET HEAD CAP SCREW
3. MOUNTING SURFACE SHOULD BE FLAT 0.002 INCH/INCH
4. STANDARD ESD PRECAUTIONS NEED TO BE OBSERVED.





	SIZE A	OUTLINE, CASCADED, HEATSINK	100171
	SCALE	REF.FILE NAME: 100171_A Outline, Cascaded, Heatsink.dft	SHEET 1 OF 1
			REV. A