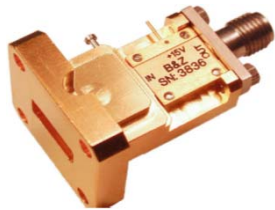


**Features**

- **Noise Figure : 0.8 dB (typ)**
- Unconditionally Stable at all temperatures
- Internally Regulated DC Voltage
- 50 Ohm Matched Input/Output
- Connector: WR-112 Input/ SMA-Female Output
- Excellent Group Delay and Phase Linearity
- 0.009 inches diameter RF In/Out feed through
- Operating Temp. -55 C to +85 C
- 3 Year Warranty

**Options**

- **Optimized Performance over Selected Bandwidth**
- Internally DC Block Input (Output DC Block Standard)
- Hermetically Sealed Package
- Improved Gain Flatness
- Improved IN and OUT VSWR
- Gain and Phase matching
- Lower Noise Figure

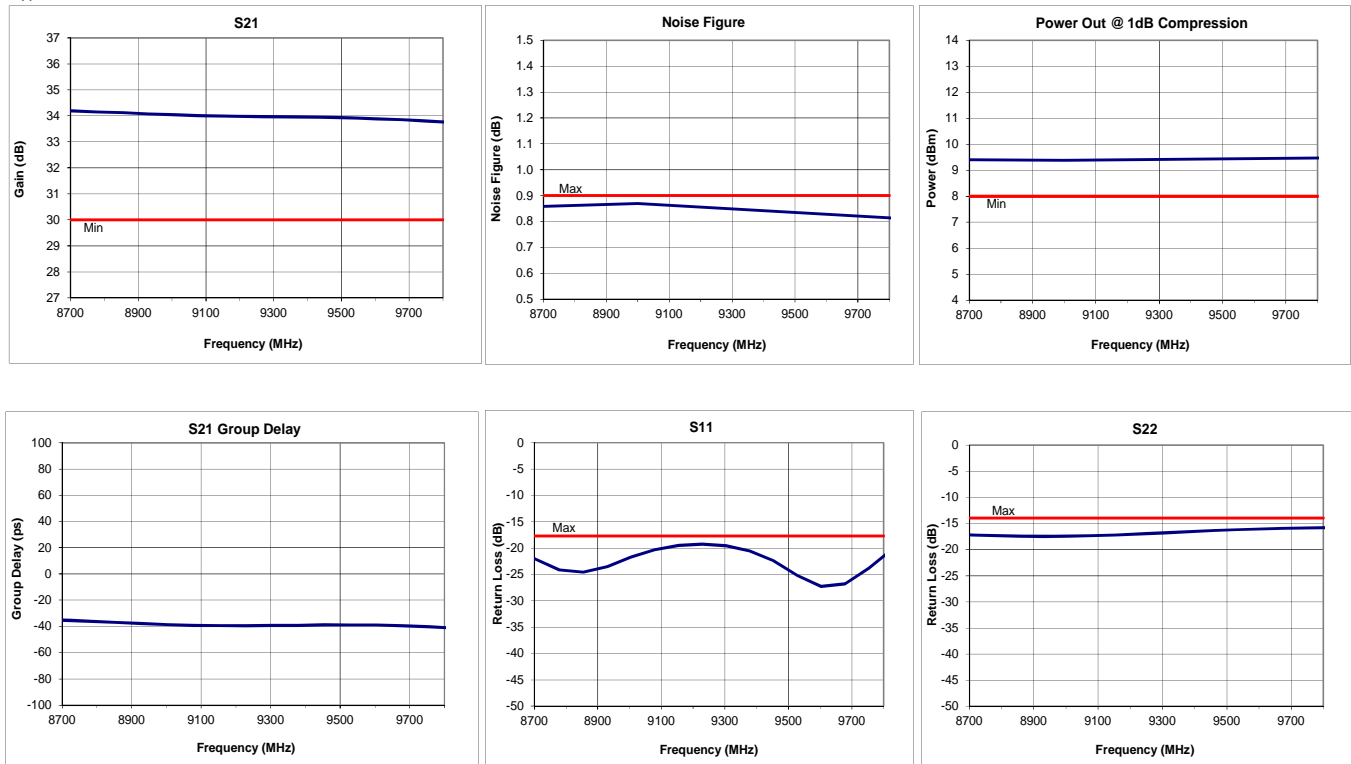


**Specifications (23 °C)**

| Parameter                  | Min                | Typ   | Max   | Units |
|----------------------------|--------------------|-------|-------|-------|
| Frequency Range            | 8.7                | -     | 9.8   | GHz   |
| Noise Figure*              | -                  | 0.8   | 0.9   | dB    |
| Gain                       | 30                 | 33    | -     | dB    |
| Gain Flatness (+/-)        | -                  | ± 0.3 | ± 0.5 | dB    |
| P1 Output Power            | +8                 | +9    | -     | dBm   |
| Input VSWR                 | -                  | -     | 1.3:1 |       |
| Output VSWR                | -                  | -     | 1.5:1 |       |
| Operating Temperature      | -55                | -     | +85   | °C    |
| Non-Operating Temp Range   | -65                | -     | +85   | °C    |
| RF Input Power (no-damage) | -                  | -     | +13   | dBm   |
| Humidity (non-condensing)  | -                  | -     | 95    | %     |
| Voltage                    | +12                | +12   | +15   | VDC   |
| Current                    | -                  | 65    |       | mA    |
| Input Impedance            | 50                 |       |       | Ohms  |
| RF Connector               | WR-112 In/ SMA Out |       |       |       |

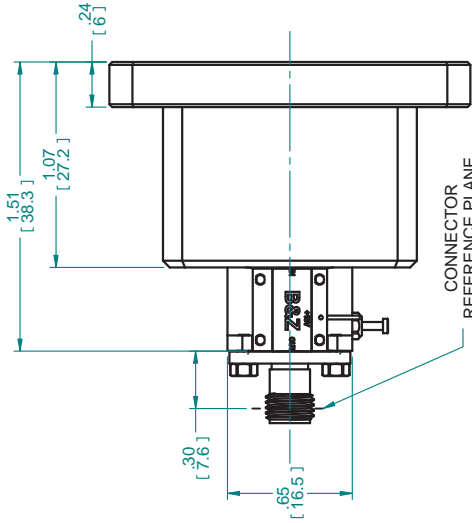
\* Noise Source used for measurement from 0.01 to 26.5 GHz is HP346C .  
NF Uncertainty (approx. 0. 1dB). 0.05 dB due to ENR of HP 346C; and 0.05 dB, due to the gain modulation of the unit, caused by the HP 346C source impedance change in the ON and OFF state.

**Typical Data**

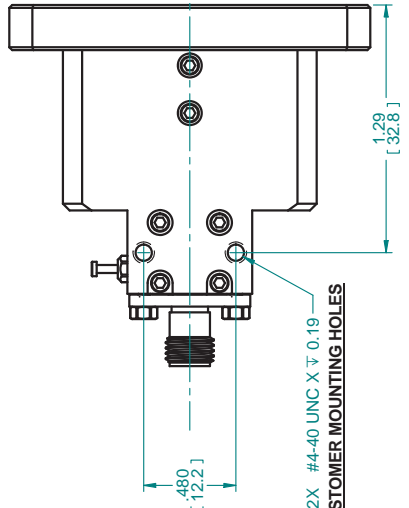
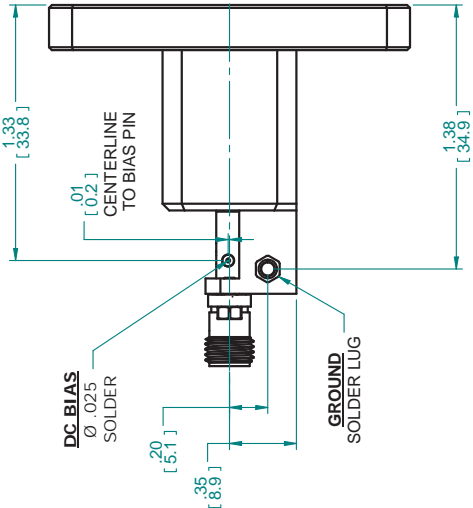
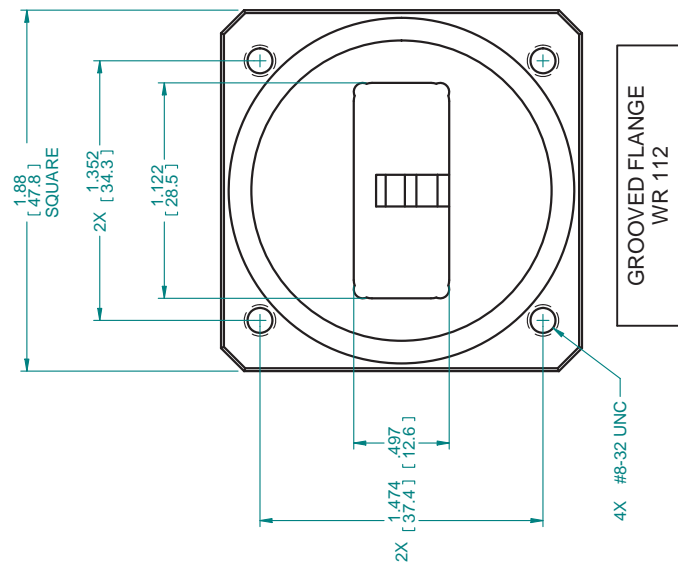
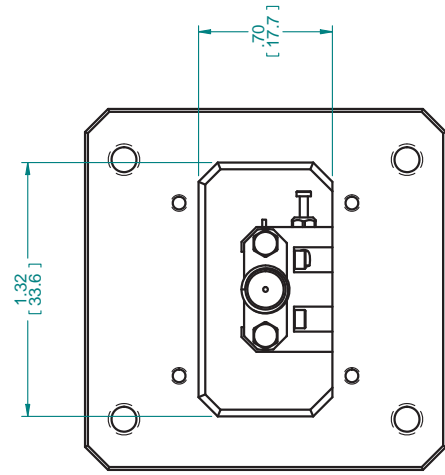


| REVISION HISTORY |             |      |
|------------------|-------------|------|
| REV              | DESCRIPTION | DATE |
|                  |             |      |

| REV | DESCRIPTION | DATE | APPROVED |
|-----|-------------|------|----------|
|     |             |      | DS       |



CONNECTOR  
REFERENCE PLANE



| NAME         | DATE     |
|--------------|----------|
| DRAWN Dan S. | 03/12/09 |
| CHECKED      |          |
| ENG APPR     |          |
| MGR APPR     |          |

| B&Z TECHNOLOGIES                    |         |
|-------------------------------------|---------|
| Energy Products, New York, NY 10994 |         |
| TITLE                               |         |
| OUTLINE                             |         |
| WR-112                              |         |
| SIZE                                | DWG NO  |
| C                                   | 100137  |
| REV                                 | A       |
| UNLESS OTHERWISE SPECIFIED          |         |
| DIMENSIONS ARE IN INCHES            |         |
| ANGLES ±0.5°                        |         |
| SCALE:                              | WEIGHT: |
| 2 PL ±0.01 3 PL ±0.005              |         |