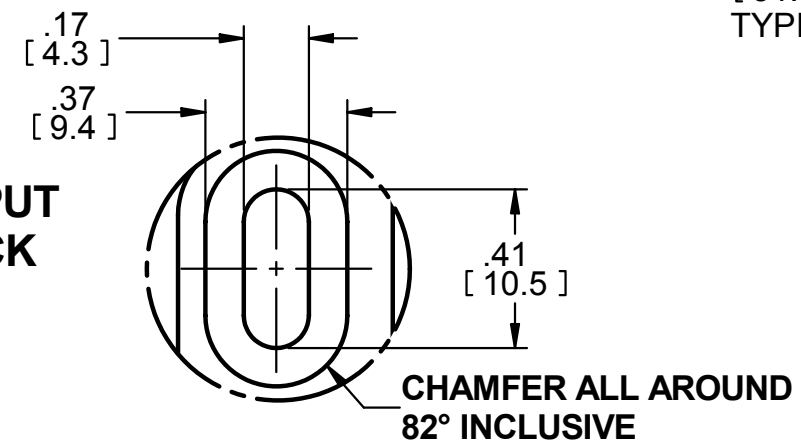
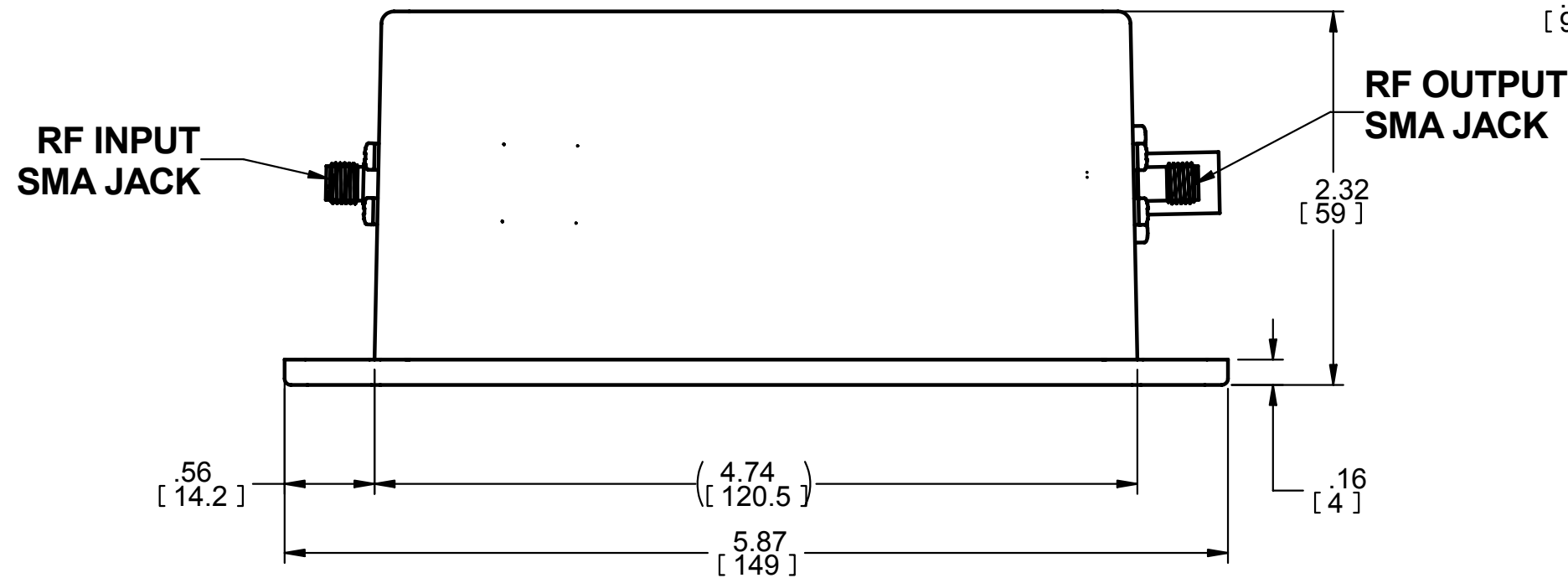
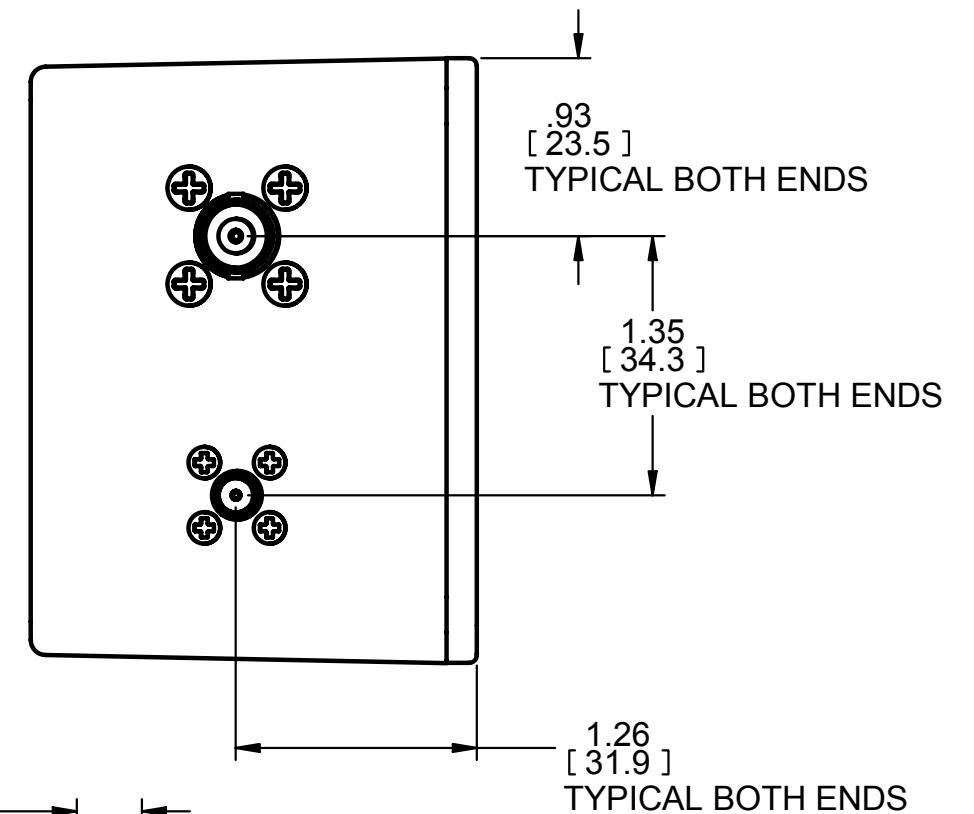
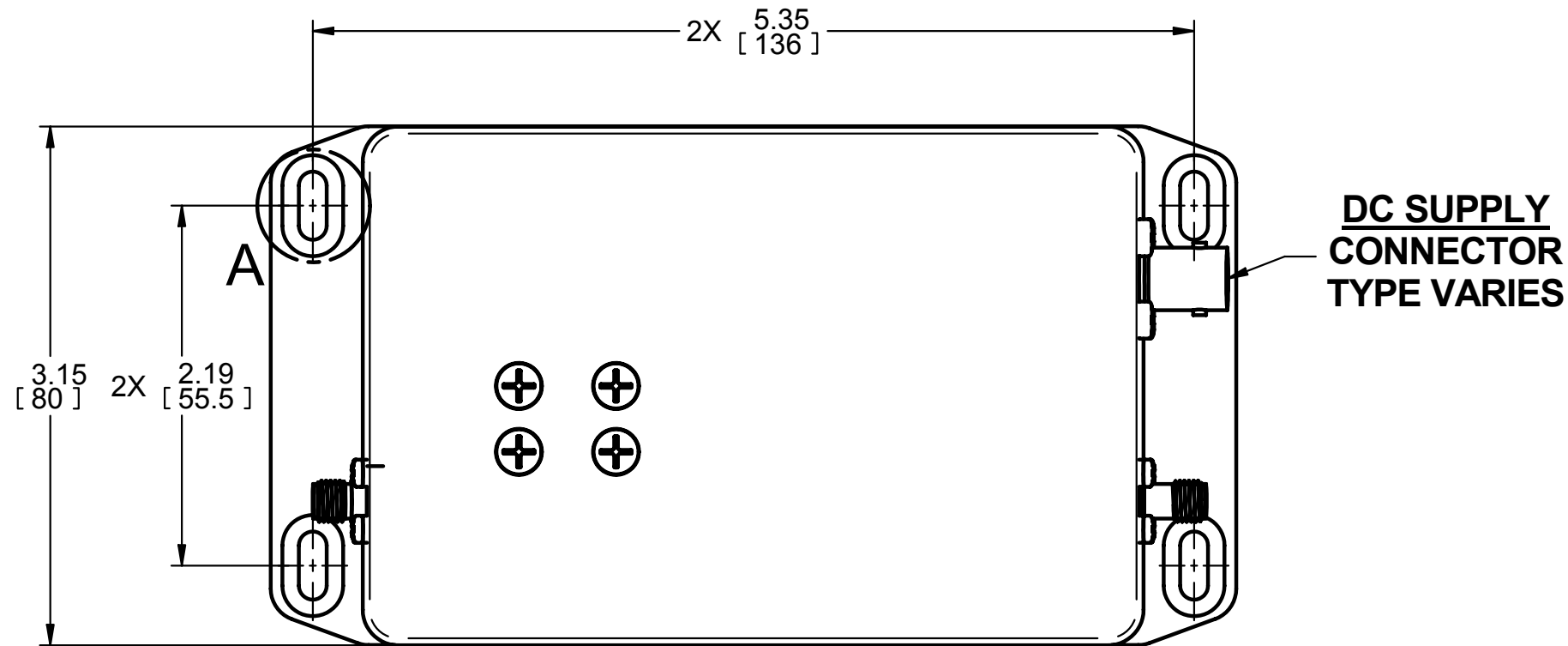


REVISION HISTORY			
REV	DESCRIPTION	DATE	APPROVED



DETAIL A

	NAME	DATE	B&Z TECHNOLOGIES	
DRAWN	Dan S.	07/06/10	STONY BROOK, NEW YORK 11790	
CHECKED			TITLE OUTLINE, ENCLOSURE, FLANGED, SMA	
ENG APPR			SIZE B	DWG NO 100141
MGR APPR				REV B
UNLESS OTHERWISE SPECIFIED DIMENSIONS ARE IN INCHES ANGLES $\pm 0.5^\circ$ 2 PL ± 0.01 3 PL ± 0.005			FILE NAME: 100141 B OUTLINE, ENCLOSURE, FLANGED, SMA.dft	
			SCALE: 1:1	WEIGHT: SHEET 1 OF 1