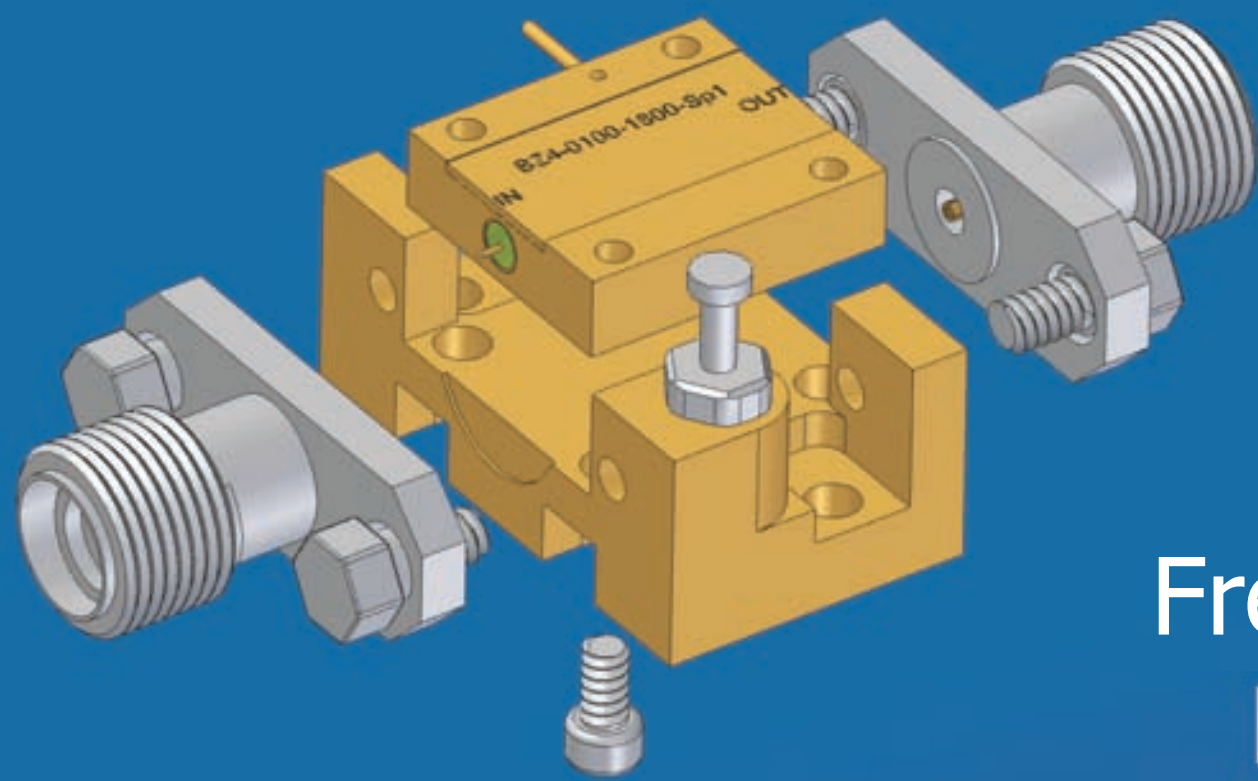
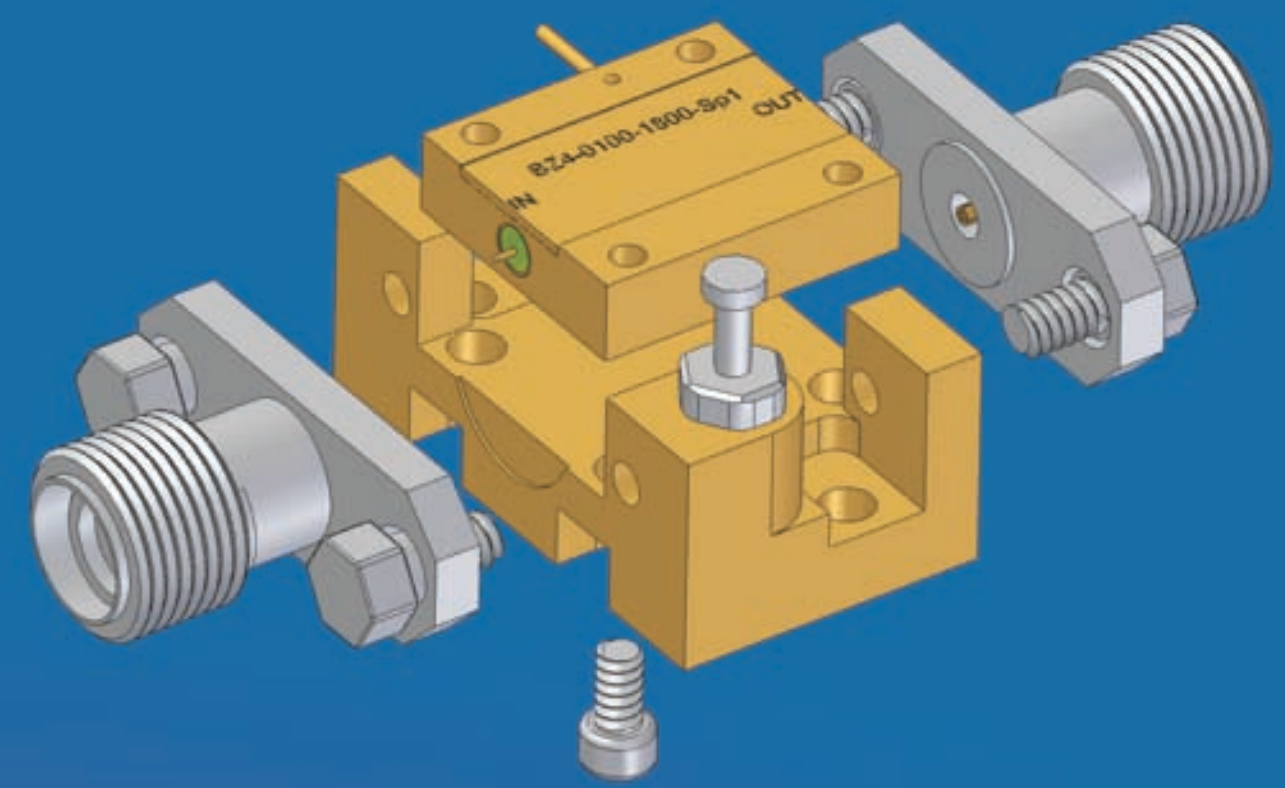


Cryogenic Amplifiers

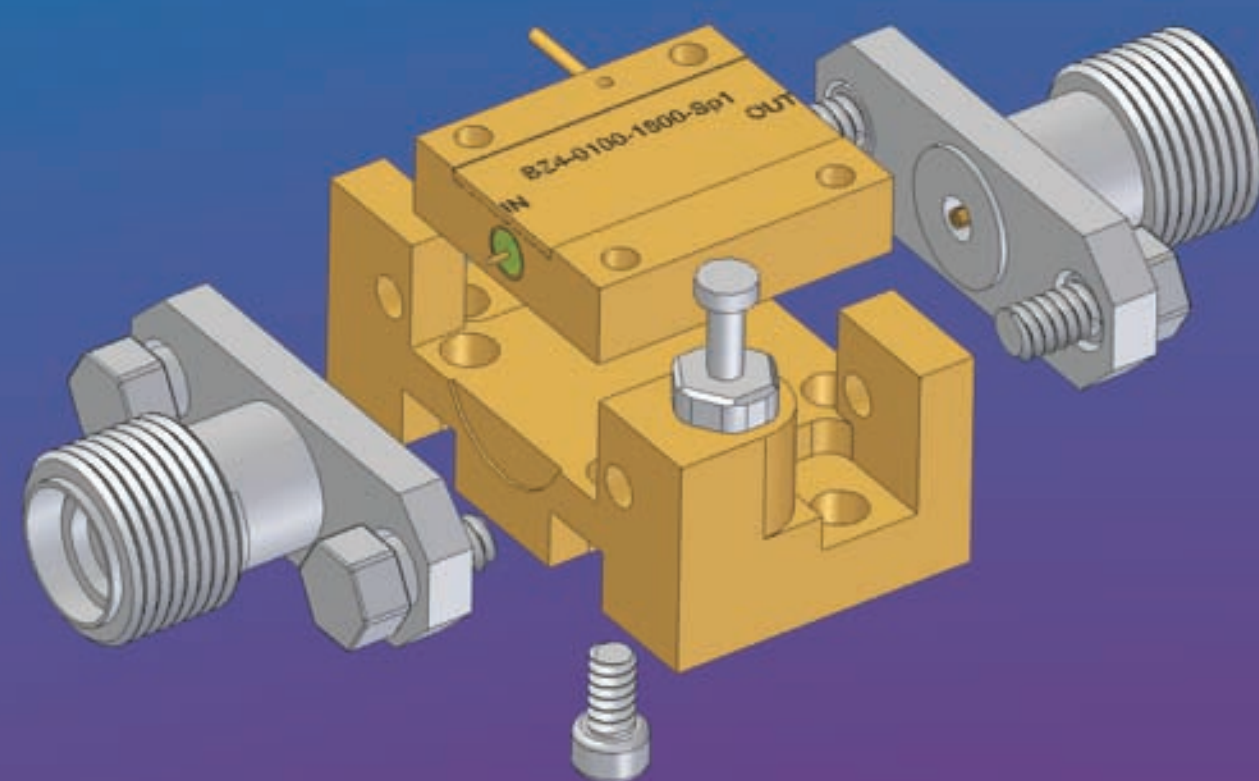
Frequency 0.1 - 2 GHz
Noise Temp 12K



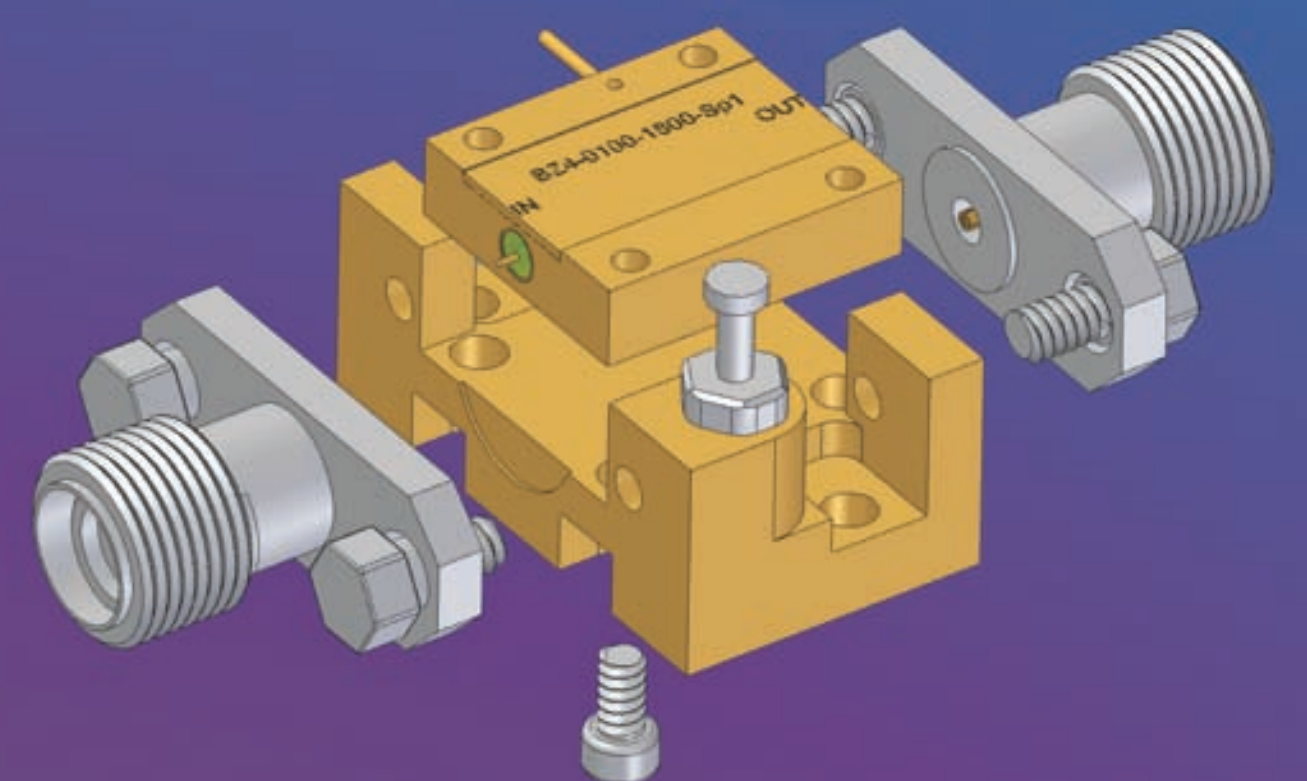
Frequency 2.5 - 5 GHz
Noise Temp 12K



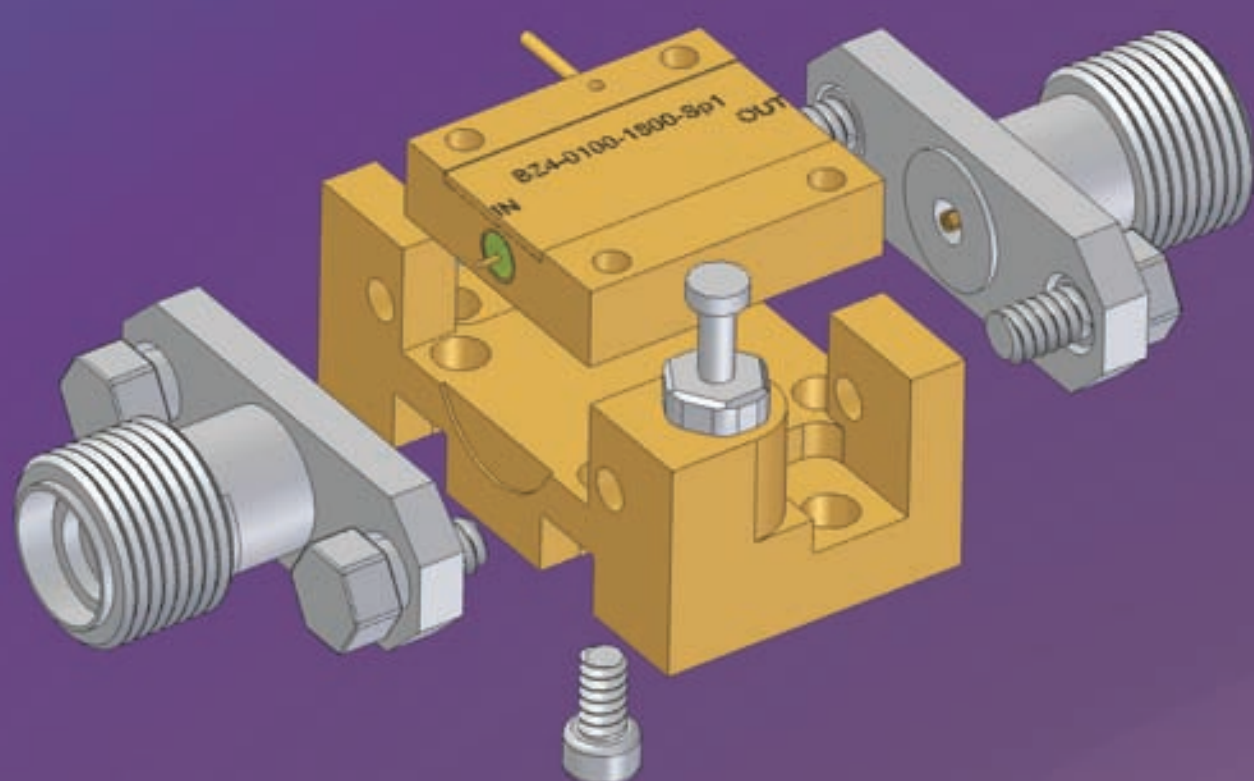
Frequency 4 - 8 GHz
Noise Temp 12K



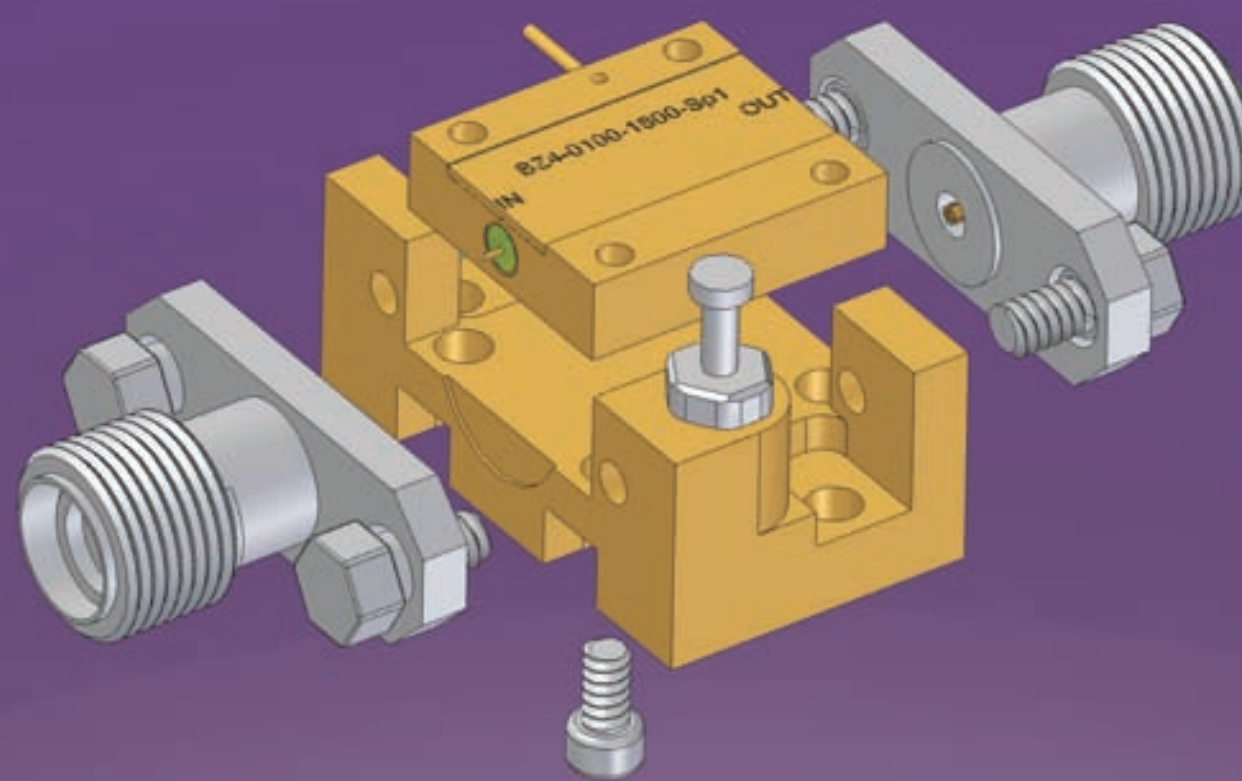
Frequency 8 - 12 GHz
Noise Temp 15K



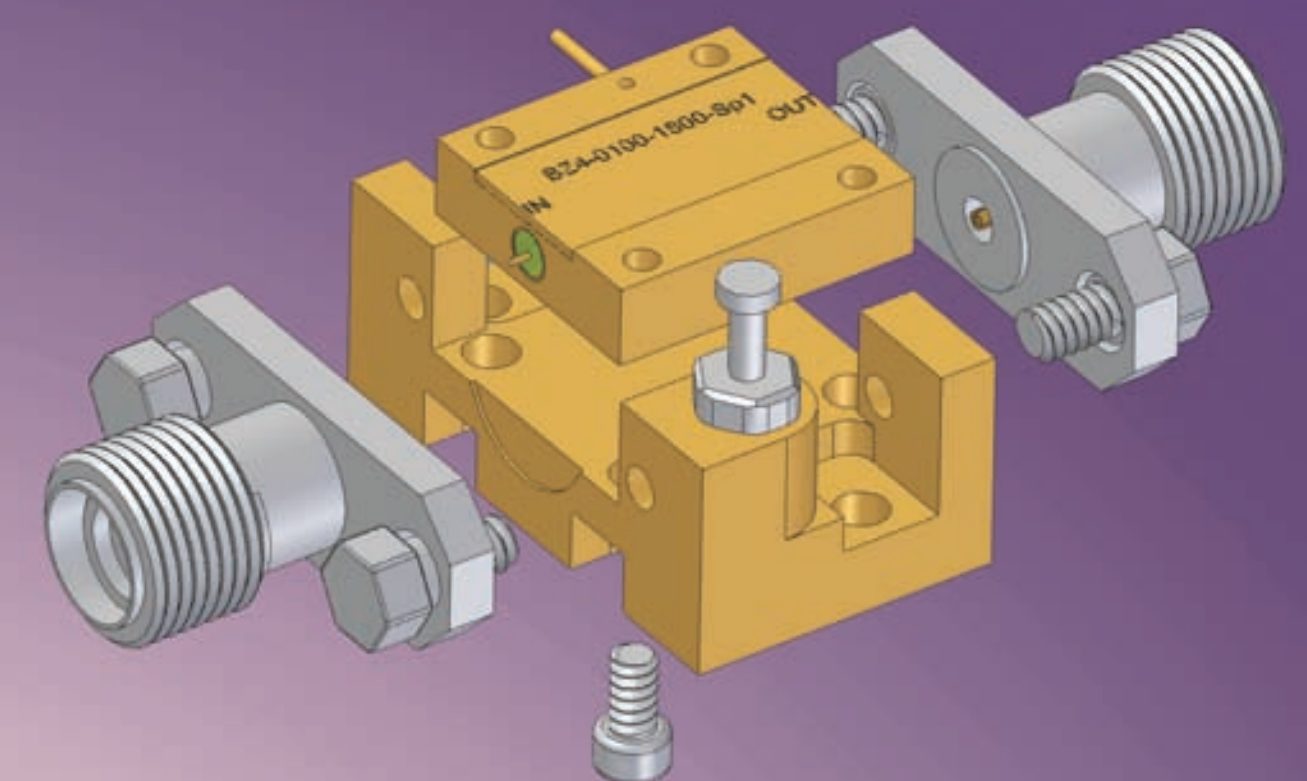
Frequency 18 - 40 GHz
Noise Temp 75K



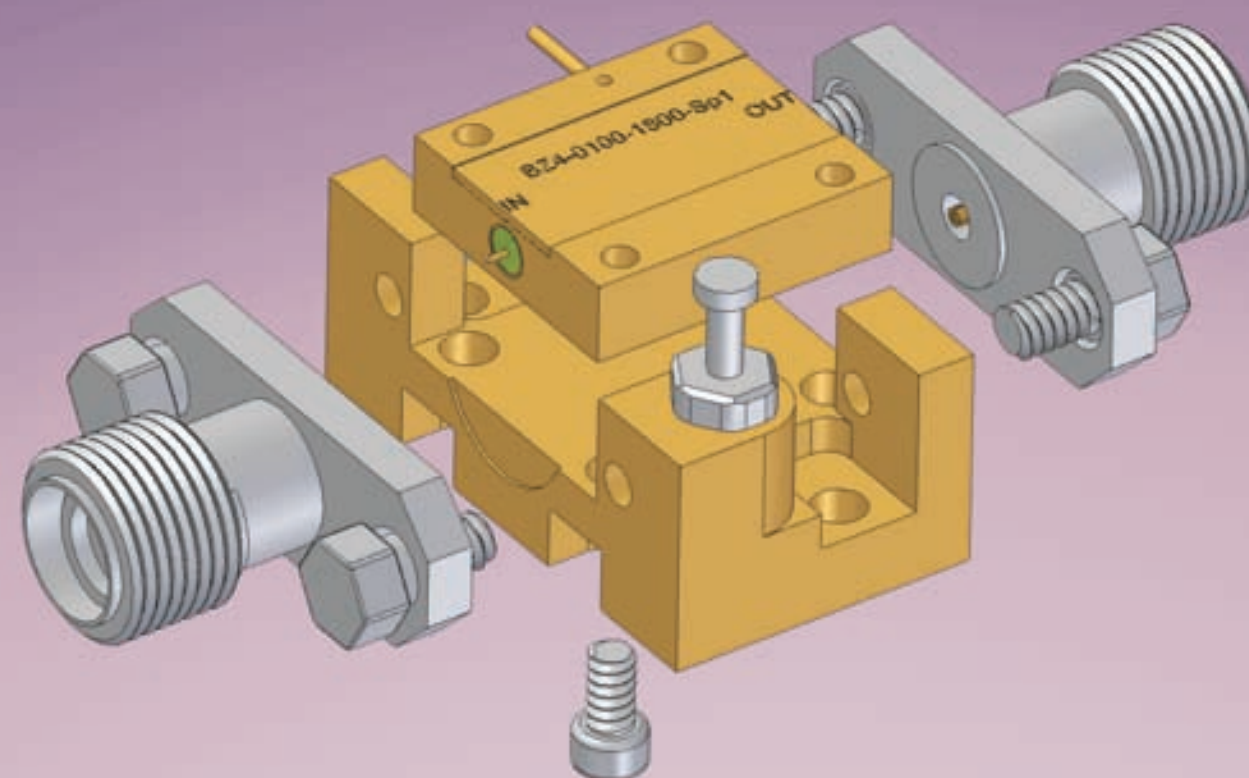
Frequency 8 - 18 GHz
Noise Temp 25K



Frequency 0.5 - 20 GHz
Noise Temp 50K



Frequency 0.5 - 40 GHz
Noise Temp 150K



FEATURES

Noise Temp measured at 77K case Temp

Lower Noise Temp at 4K

DC Power: 3 - 5 V, 20 - 50 mA

Gain 30 dB Typical

Unconditionally Stable at All Temperatures

Lower Noise Temp over selected bandwidth

www.bnztech.com

Phone: 631-331-0101

 **B&Z** TECHNOLOGIES
Innovating to Excel