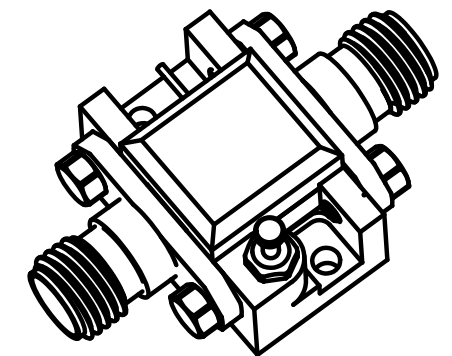
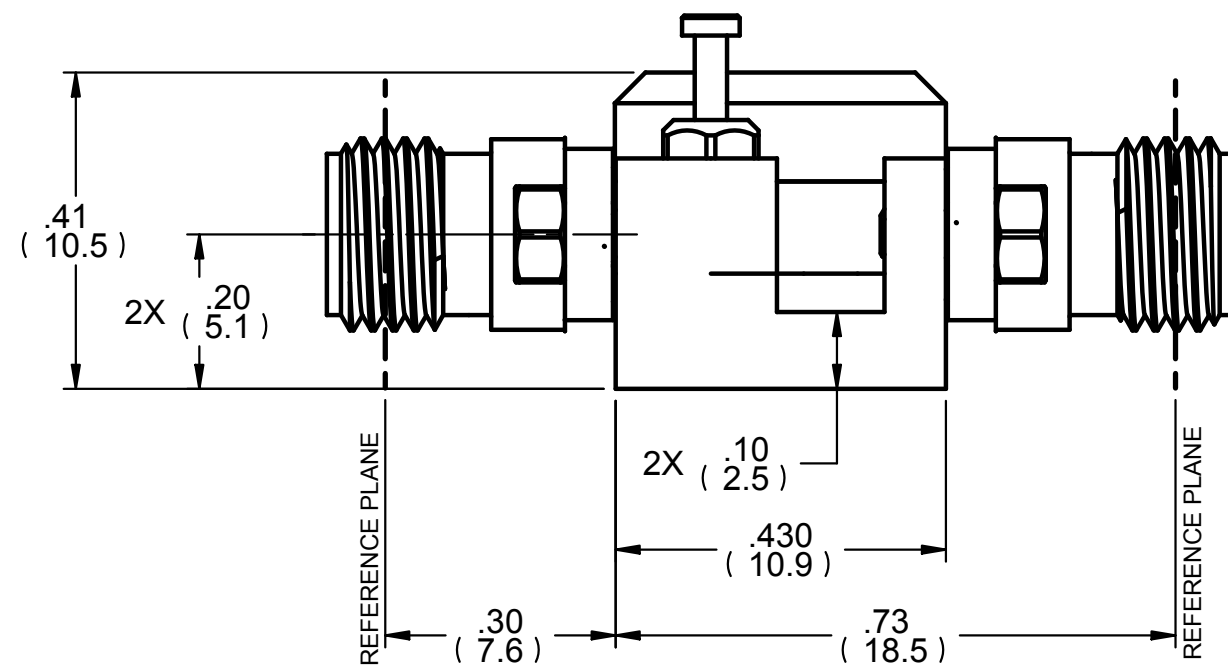
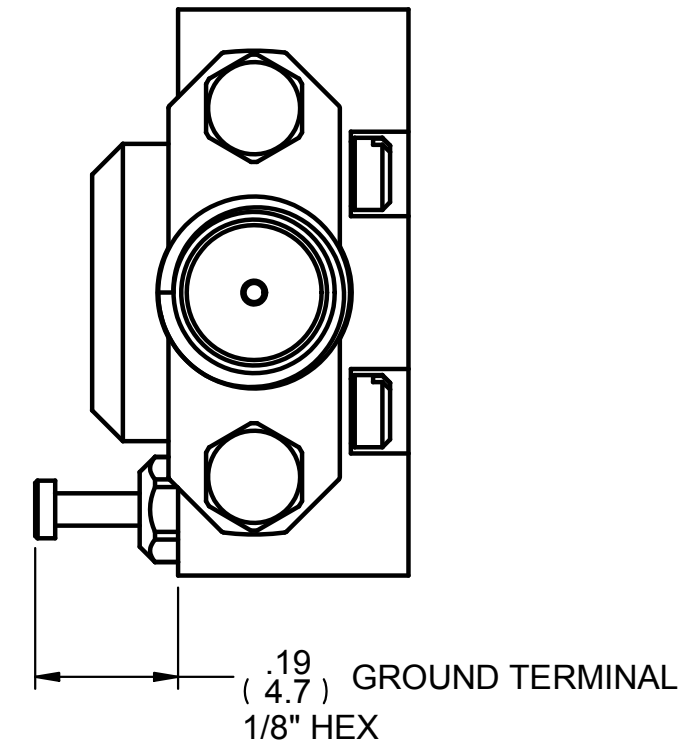
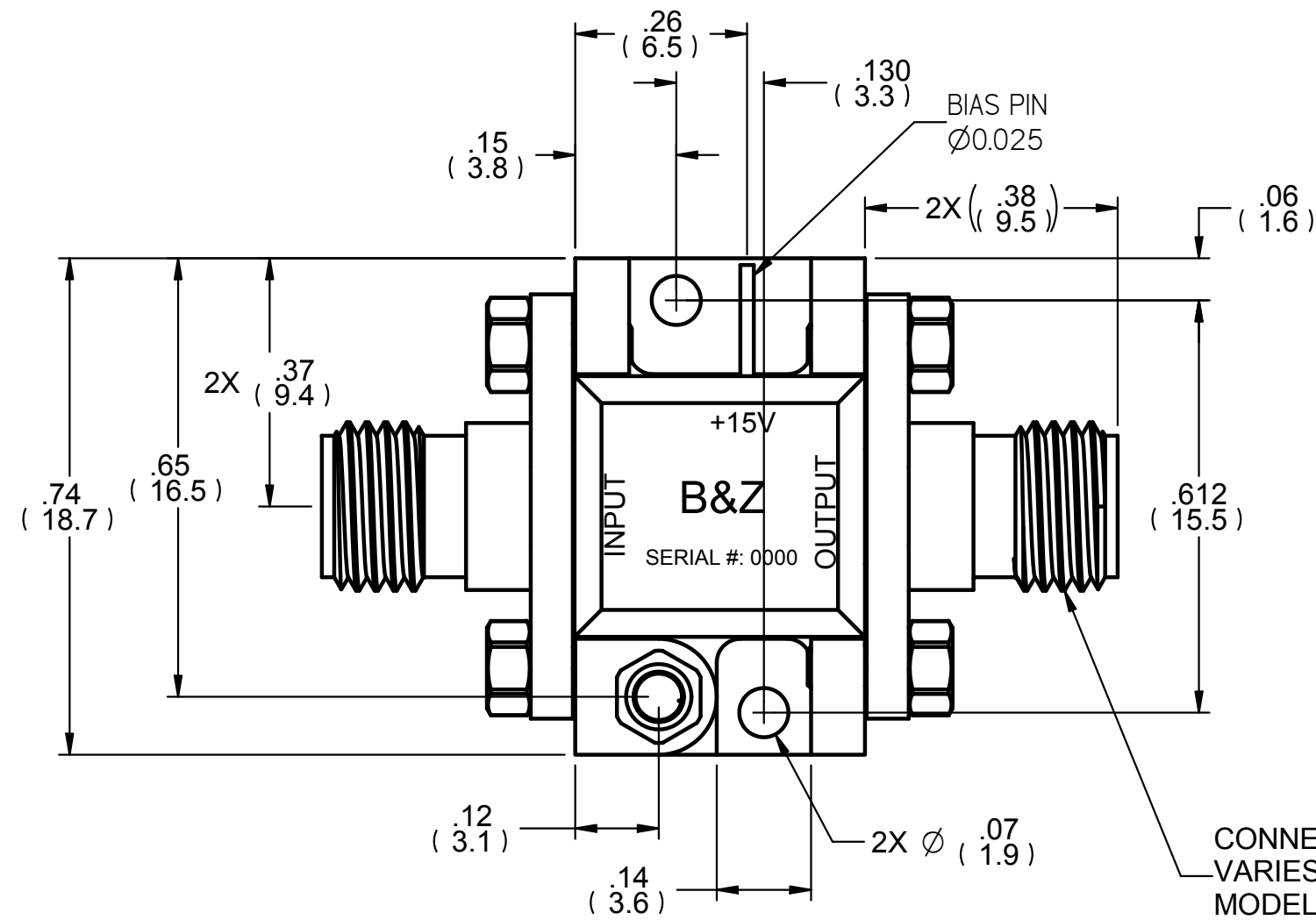


REVISION HISTORY

REV	DESCRIPTION	DATE	APPROVED



NAME	DATE	B&Z TECHNOLOGIES	
DRAWN Dan S.	11/15/10	STONY BROOK, NEW YORK 11790	
CHECKED		TITLE	
ENG APPR		OUTLINE, DEEP COVER	
MGR APPR		SIZE B	DWG NO 100165
UNLESS OTHERWISE SPECIFIED DIMENSIONS ARE IN INCHES ANGLES ±0.05° 2 PL ±0.01 3 PL ±0.005		REV A	
		SCALE:	WEIGHT:
		SHEET 1 OF 1	