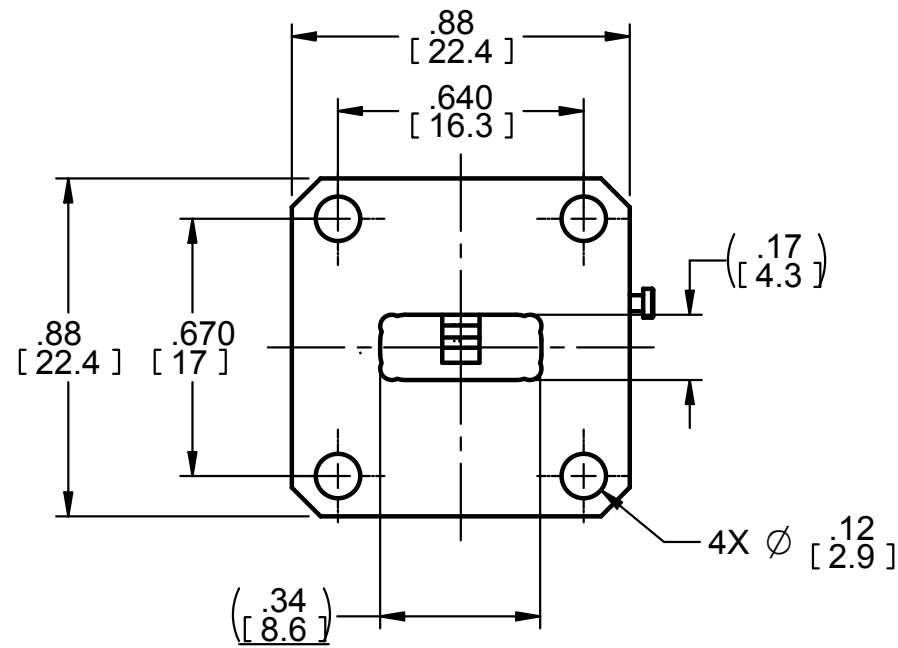
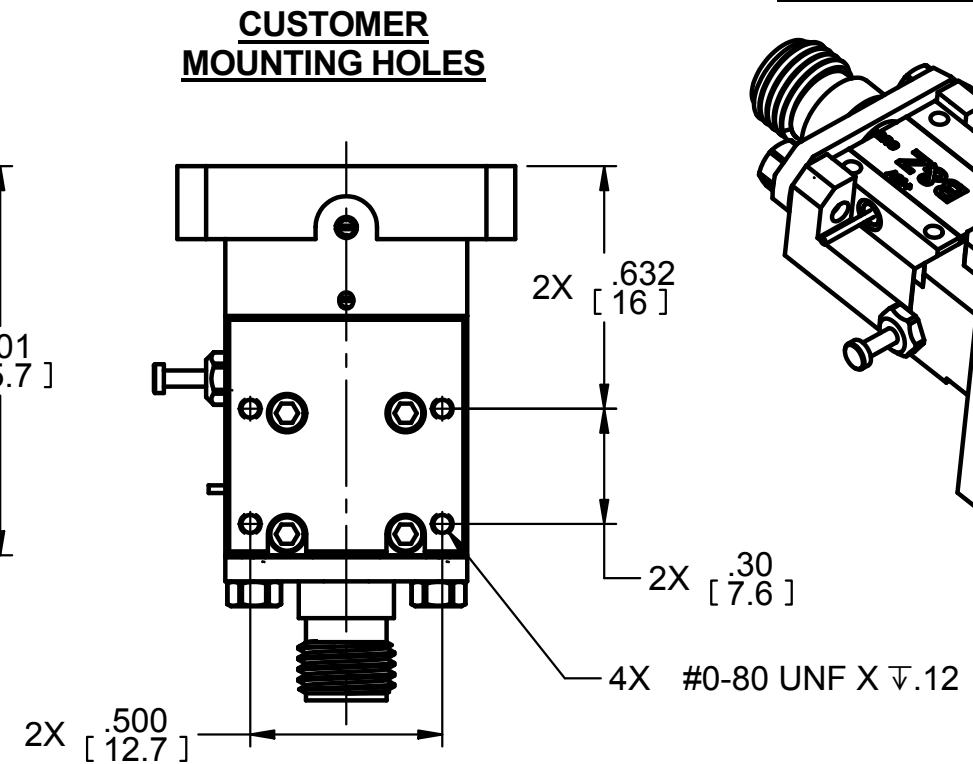
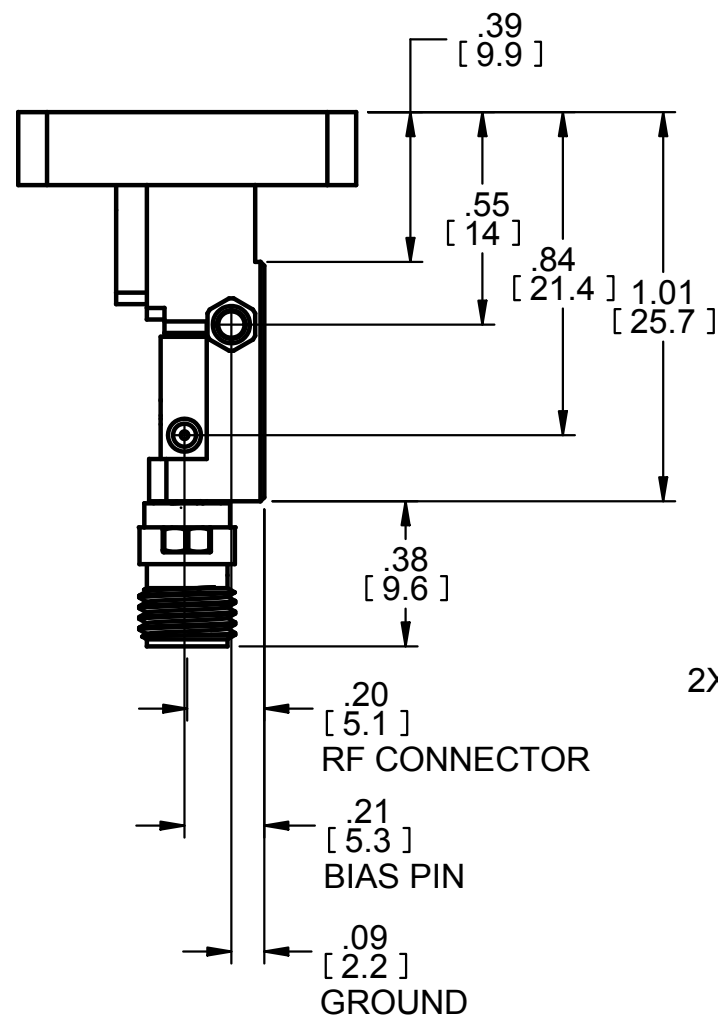
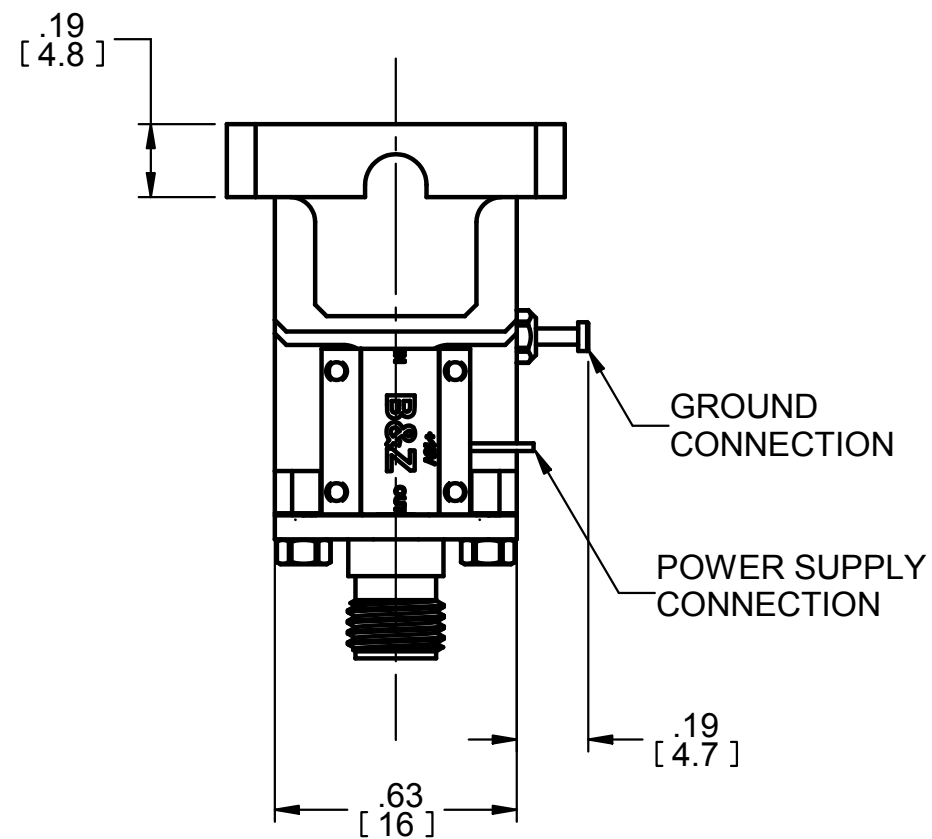


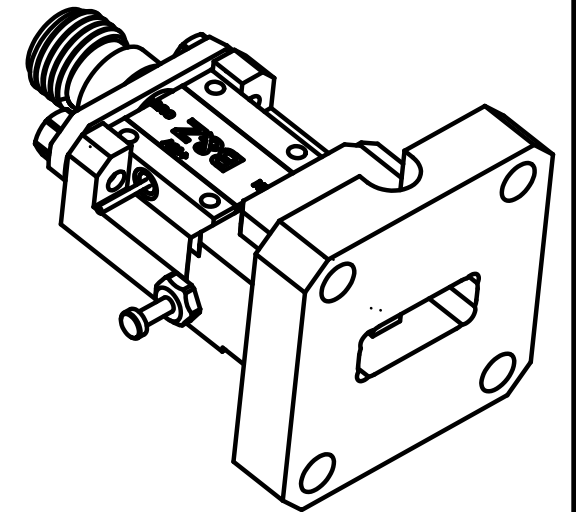
REVISION HISTORY			
REV	DESCRIPTION	DATE	APPROVED



NOTE: MOUNTING HOLES ON WEATHER PROOF BULKHEAD ARE 4x 4-40 TAP X .300 DEEP.



ISOMETRIC VIEW



NAME	DATE	B&Z TECHNOLOGIES	
DRAWN Dan S.	11/17/11	STONY BROOK, NEW YORK 11790	
CHECKED		TITLE	
ENG APPR		OUTLINE, WR-34	
MGR APPR		SIZE B	DWG NO 100170 REV A
UNLESS OTHERWISE SPECIFIED DIMENSIONS ARE IN INCHES ANGLES ±0.5° 2 PL ±0.01 3 PL ±0.005		FILE NAME: 100170 A_Outline_WR34.dft	
		SCALE:	WEIGHT: ~50g SHEET 1 OF 1