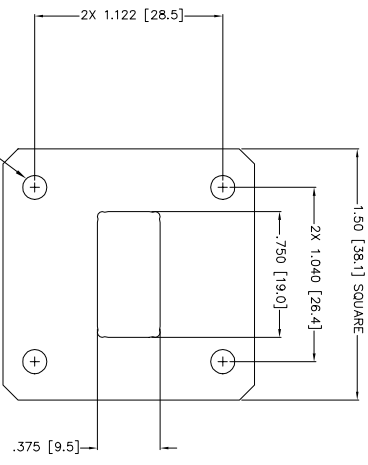
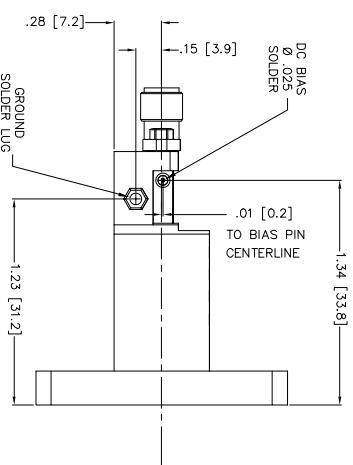
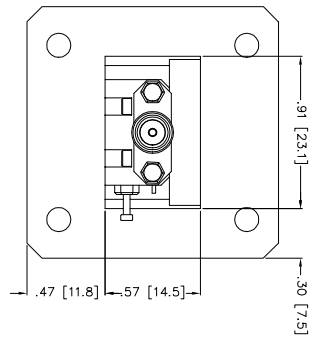
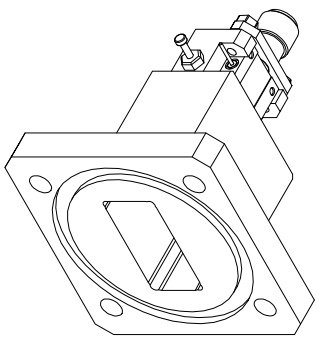
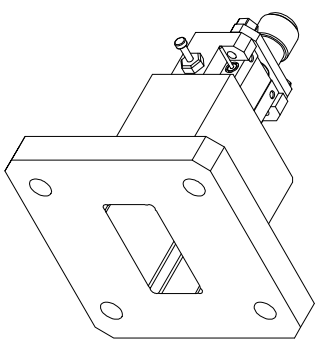
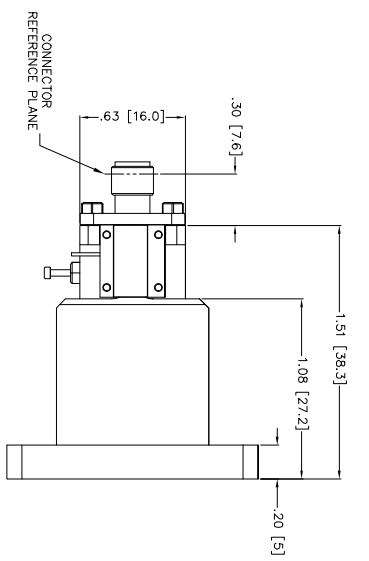
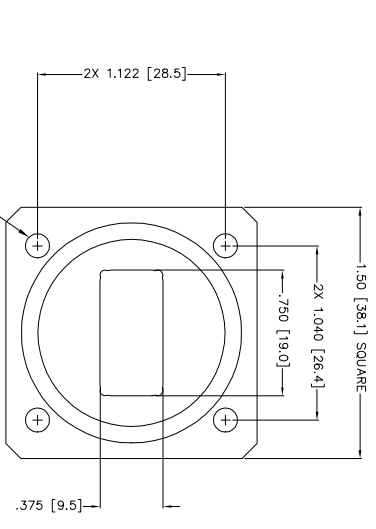


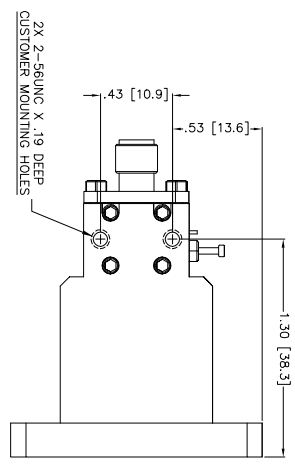
REVISIONS				
ZONE	LTR	DESCRIPTION	DATE	APPROVED
A		INITIAL RELEASE	11/30/17	E.M.



STANDARD FLANGE
WR75



GROOVE FLANGE
WR75



NOTICE: PROPRIETARY INFORMATION, THE DESIGN AND RELATED INFORMATION CONTAINED HEREIN IS THE SOLE PROPERTY OF B&Z TECHNOLOGIES.

PROPRIETARY		UNLESS OTHERWISE SPECIFIED DIMENSIONS ARE IN INCHES		DRAWN: E.McA/11/30/17		CHECKED:		B&Z TECHNOLOGIES SETAUKET, NEW YORK 11733	
SYSTEM:	APPLICATION:	ANGLES: ±1°	PL: ±.005	63/	ENGINEERING:	DATE:	QUALITY CONTROL:	DATE:	OUTLINE, AMPLIFIER WR75 WAVEGUIDE
	USED ON:	PROCESS:			PROGRAM:	DATE:	SIZE:	CODE IDENT NO:	DRAWING NO:
		FINISH:					C		100223
							SCALE NONE	DRW FILE: 100223A.dwg	SHEET 1 OF 1